

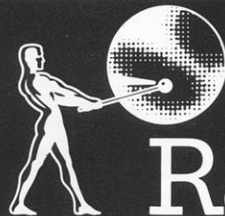
# Cadenza PC

## 2000W Halogen Prism Convex Spot

The widely adjustable, circular beam with diffused, rather than soft, edges provided by this high performance 2000 watt Prism Convex Spot is extremely useful for faster, tighter lighting in both large-scale theatres and studios. The absence of filament striation and edge coloration is achieved without the addition of a diffuser detracting from the performance. The beam spread is adjustable from a very tight 4°, up to over 60° at ½ peak value making this the most versatile of all Cadenza luminaires. A barndoor attachment can be used if required.

The Cadenza Prism Convex Spot has fast, internal cable-drive of the lamp and reflector with the rotary toggle knob, with plotting scale for repetition, at the side. The unique internal access, interlocked by the power connector, permits safe lamp replacement without the need to upset the spread setting nor even disturbing the flaps of a barndoor accessory.

The Cadenza series are all purpose-designed 2000W luminaires, not adaptations of lower power units, and set completely new standards of die-cast and aluminium extrusion construction, user-convenience and safety.



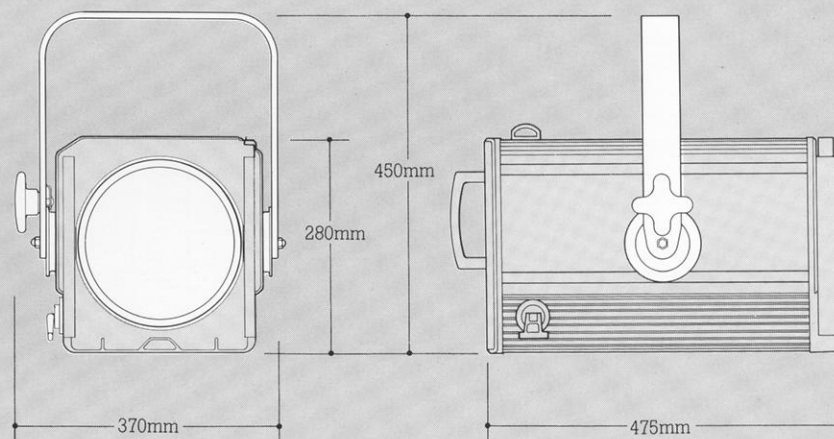
# Rank Strand

22 524 08



### Dimensions

Scale 1:10



### Item Numbers

Cadenza PC Prism Convex Spot RSE/79 2000W lamp and 1.5m power cable (state 240 or 220v, and 15A, Schuko, or wire-ended cable)	22 524 08
Additional RSE/79 2000W 240v lamp	34 232 06
Additional RSE/79 2000W 220v lamp	34 232 14
Additional Thorn EMI Class CP/43 2000W 240v lamp	34 224 0T
Additional Thorn EMI Class CP/43 2000W 220v lamp	34 224 18
Additional 1.5m power cable, 15A 3-pin plugtop	34 002 01
Additional 1.5m power cable, moulded-on Schuko	34 001 06
Additional 1.5m power cable, wire-ended	34 000 00

### Weight

15.2 kg

### Carton Size

75 × 47 × 46 cm. 0.16m<sup>3</sup>  
Packed weight 19.5kg including lamp  
and power cable

### Environment

45°C max ambient, interior use

### Tilt

45° above horizontal to 90° below

22 524 08

**Performance**

Typical performance, based upon 2000W 240v RSE/79 calibrated lamp, C13D biplane filament, 400 hour, 3200°K, 52,000 lm

With integral 25mm mesh lens guard

½ peak angle 4° spot to 61° flood

1/10 peak angle 7.5° spot to 68° flood

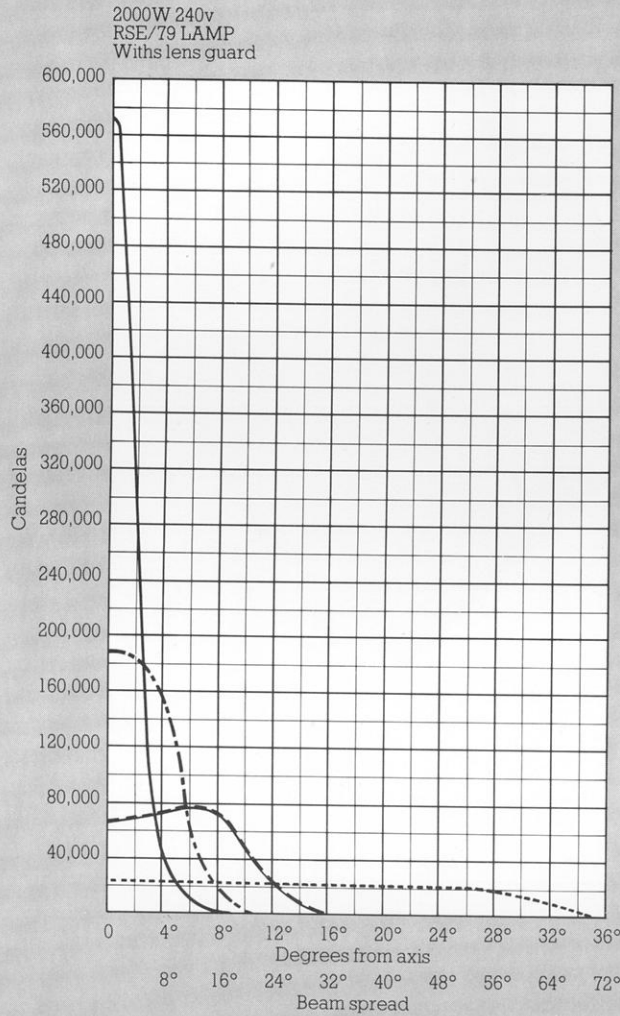
570,000 peak candelas at spot, variable to 24,000 peak candelas at flood.

An intermediate:

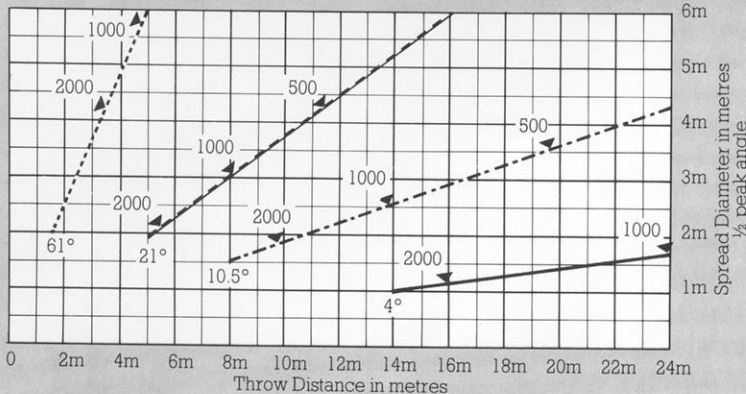
½ peak angle 10.5°, 190,000 peak candelas

Another intermediate:

½ peak angle 21°, 76,000 peak, 66,000 axial candelas.



— Spot  
- - - Intermediate  
. . . Intermediate  
- · - Flood



The figures on the diagonal lines indicate the illumination value in lux at beam centre

The Company reserves the right to make any variation in design or construction to the equipment described



**Rank Strand  
Cadenza PC**

**Specification**

**Housing**

Extruded, finned, aluminium sides with gravity die cast aluminium ends joined by machine thread screws to combine extreme robustness and rigidity with minimum weight and maximum heat dissipation. For additional heat dissipation lamp house provided with light baffled ventilation slots. Anchorage provided for safety bond and heat insulated grab handle fitted at rear.

**Fork**

Aluminium alloy, reversible with 90mm dia. friction discs and heat insulated hand wheel for tilt lock, changeable to opposite side. Fork provided with DIN Platte fixing holes; centre threaded and provided with M.12 bolt, washer and wingnut for compact suspension and swivel lock. Fitted with clip for power cable retention.

**Lampholder**

GY16 unequal-pin porcelain body with integral heat sink fitted to thumb fastener retained sliding access plate incorporating side to side adjustment for lamp alignment and wired direct to CEE.22 high temperature power connector.

**Power Cable**

1.5m long, 3 x 1.5mm<sup>2</sup> conductor toughened silicon rubber cable moulded to mating CEE.22 angled power socket. Other end of cable moulded to 15A 3-pin or Schuko plugtop, or open wire-ends (specify).

**Internal Access**

Thumb fastener secured, side hinged lampray provides access to slide down, but captive lampholder assembly for convenient lamp replacement and to reflector and lens for cleaning. Lampray is interlocked with power connector to provide maximum safety.

**Lens**

200mm diameter prism convex lens of borosilicate glass, recessed mounted with spring clips from within housing.

**Reflector**

150mm diameter spherical reflector of anodised aluminium edge-masked behind support plate.

**Focusing Adjustment**

Lampholder/Reflector carrier slides smoothly on bearing rod and support rod for focusing with fixed lens. Carrier is driven by internal cable and grooved pulley arrangement from external rotary control which provides locking of the focused position through hinging toggle action of its operating handle.

**Colour Runners**

Aluminium extrusions, with spring safety clip, providing double runners. One 245mm square DIN size colour frame with circular aperture for thin-film 'Chromoid' colour filters.

**Finish**

High temperature stoved, black epoxy powder coated.

**Lamps**

2000W GY16 base 70mm l.c.l. with 40mm max. dia. quartz envelope. Supplied with 2000W RSE/79 240v or 220v lamp. Similar, but not identical 2000W Thorn EMI Class CP/43 lamps are also suitable.

**Accessories**

4-Door Rotatable Barndoor	2321001
Additional 245mm <sup>2</sup> Colour Frame	2726405
Semaphore Colour Change, 24v	2388105
TV Spigot, M.12 Stem	2686004

Rank Strand Limited  
P.O. Box 51, Great West Road,  
Brentford, Middlesex TW8 9HR,  
United Kingdom  
Telephone 01-568 9222. Telex 27976